

FIRG SERIES

INTERCHANGE > ISO 16028 - NFPA T3.20.15 - HTMA (size 3/8")



Stucchi®

FLAT FACE



TECHNICAL FEATURES AND OPTIONS

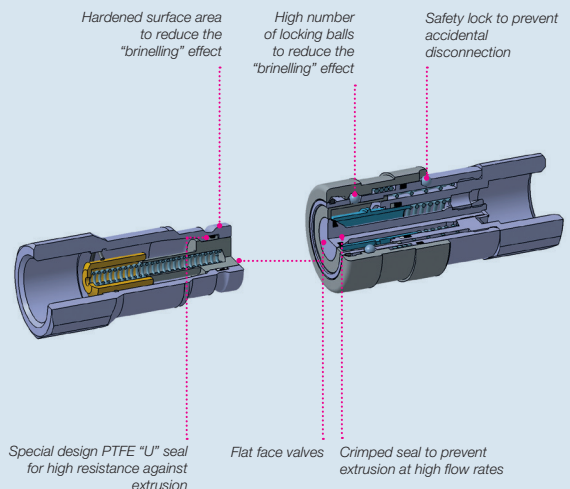
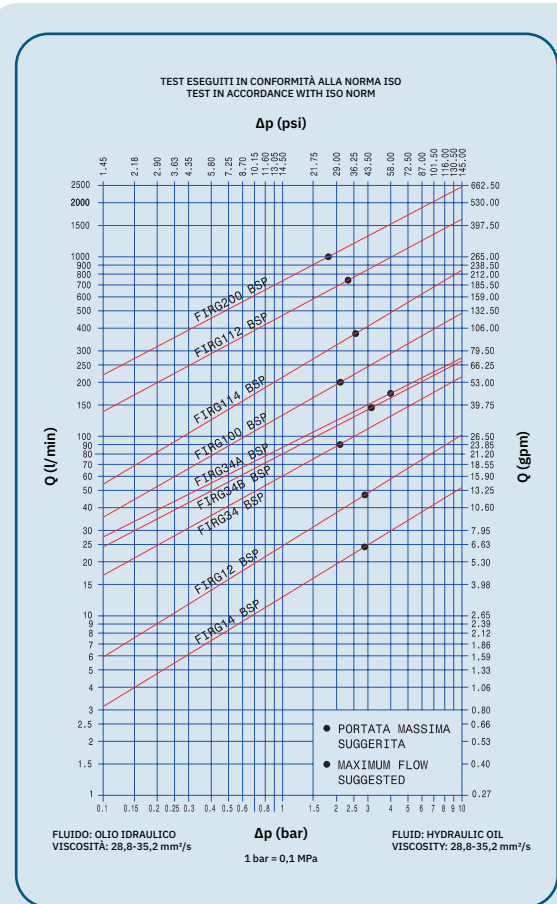
| | | |
|--|---|---|
| Interchange ISO 16028 NFPA T3.20.15 HTMA (size 3/8") | Sealing description Nitrile NBR | Connection system Push |
| Available sizes from 1/4" to 2" | Material/treatment Carbon steel /Cr3 | Available threads BSP - NPT - BSPT - SAE |
| Operating pressure Up to 330 bar | Locking mechanism Locking ball + Safety Lock | Flow rate Up to 1000 l/min |
| Temperature (°C) -20° / +100° | Valving style Flat face | Connection under pressure Connection: not allowed Disconnection: not allowed |

BENEFITS

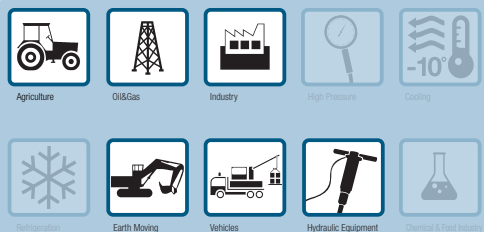
- Flat face is easy to clean, reducing the inclusion of contamination inside the hydraulic circuit.
- Minimal fluid spillage during disconnection, reducing fluid spillage to the environment.
- Minimal air inclusion during connection, enhancing correct function of the circuit.
- Linear flow reduces internal turbulence and pressure drop maintaining circuit efficiency.
- Good resistance to pressure impulses when the couplings are connected.
- Compact slim design.
- Safe and simple to use.

HOW TO USE

- Before to connect, clean the mating surface of the couplings to avoid dirt inclusion in the circuit.
- To connect push the male half towards the female half or vice versa.
- After connection turn the external sleeve to engage safety lock function, to prevent accidental disconnection.
- To disconnect turn the external sleeve until the sleeve lock notch match the safety lock ball and push back the sleeve.



MAIN APPLICATIONS





PERFORMANCES

| Size | | Series/Size | Max. flow suggested | | Connect force | | Disconnect force | | Spillage* |
|-------|----------|-------------|---------------------|--------|---------------|--------|------------------|-------|-----------|
| Inch | mm (ISO) | | l/min | gpm | N | lbf | N | lbf | ml |
| 1/4 | 6,3 | FIRG14 | 24 | 6,36 | 140 | 31,50 | 40 | 9,00 | 0,01 |
| 3/8 | 10,0 | FIRG38-12 | 46 | 12,19 | 150 | 33,75 | 40 | 9,00 | 0,01 |
| 1/2 | 12,5 | FIRG12A-34 | 90 | 23,85 | 160 | 36,00 | 60 | 13,50 | 0,02 |
| 5/8 | 16,0 | FIRG34B | 148 | 39,22 | 180 | 40,50 | 55 | 12,38 | 0,02 |
| 3/4 | 19,0 | FIRG34A | 170 | 45,05 | 270 | 60,75 | 90 | 20,25 | 0,03 |
| 3/4 | 19,0 | FIRG100 | 200 | 53,00 | 240 | 54,00 | 65 | 14,63 | 0,03 |
| 1 | 25,0 | FIRG114 | 378 | 100,17 | 310 | 69,75 | 100 | 22,50 | 0,03 |
| 1-1/2 | | FIRG112 | 750 | 198,75 | 390 | 87,75 | 90 | 20,25 | 0,05 |
| 2 | | FIRG200 | 1000 | 265,00 | 470 | 105,75 | 100 | 22,50 | 0,1 |

| Size | Series/Size | Max. operating pressure | | | | | | Burst pressure | | | | | |
|-------|-------------|-------------------------|------|------|------|--------|------|----------------|-------|------|-------|--------|-------|
| | | Coupled | | Male | | Female | | Coupled | | Male | | Female | |
| Inch | | MPa | psi | MPa | psi | MPa | psi | MPa | psi | MPa | psi | MPa | psi |
| 1/4 | FIRG14 | 30 | 4350 | 42 | 6090 | 12 | 1740 | 120 | 17400 | 126 | 18270 | 48 | 6960 |
| 3/8 | FIRG38-12 | 30 | 4350 | 30 | 4350 | 12 | 1740 | 120 | 17400 | 120 | 17400 | 48 | 6960 |
| 1/2 | FIRG12A-34 | 25 | 3625 | 25 | 3625 | 10 | 1450 | 100 | 14500 | 100 | 14500 | 40 | 5800 |
| 5/8 | FIRG34B | 25 | 3625 | 22 | 3190 | 10 | 1450 | 100 | 14500 | 88 | 12760 | 40 | 5800 |
| 3/4 | FIRG34A | 33 | 4785 | 33 | 4785 | 33 | 4785 | 100 | 14500 | 100 | 14500 | 100 | 14500 |
| 3/4 | FIRG100 | 25 | 3625 | 20 | 2900 | 10 | 1450 | 100 | 14500 | 80 | 11600 | 40 | 5800 |
| 1 | FIRG114 | 25 | 3625 | 20 | 2900 | 10 | 1450 | 100 | 14500 | 80 | 11600 | 40 | 5800 |
| 1-1/2 | FIRG112 | 20 | 2900 | 27 | 3915 | 8 | 1160 | 80 | 11600 | 80 | 11600 | 32 | 4640 |
| 2 | FIRG200 | 20 | 2900 | 16 | 2320 | 8 | 1160 | 80 | 11600 | 64 | 9280 | 32 | 4640 |

* Spillage is an indicative value of the fluid loss during disconnection (according to ISO norm test method).

Different possible configurations:
BSPT thread available upon request.

Temperature range:

Standard seals NBR (Nitrile): from -20 °C to +100 °C (from -4 °F to +212 °F).
Upon request seals in VITON®: from -15°C to +180°C (from +5 °F to +356 °F).
Please read carefully Instructions and warnings for proper selection of the products.

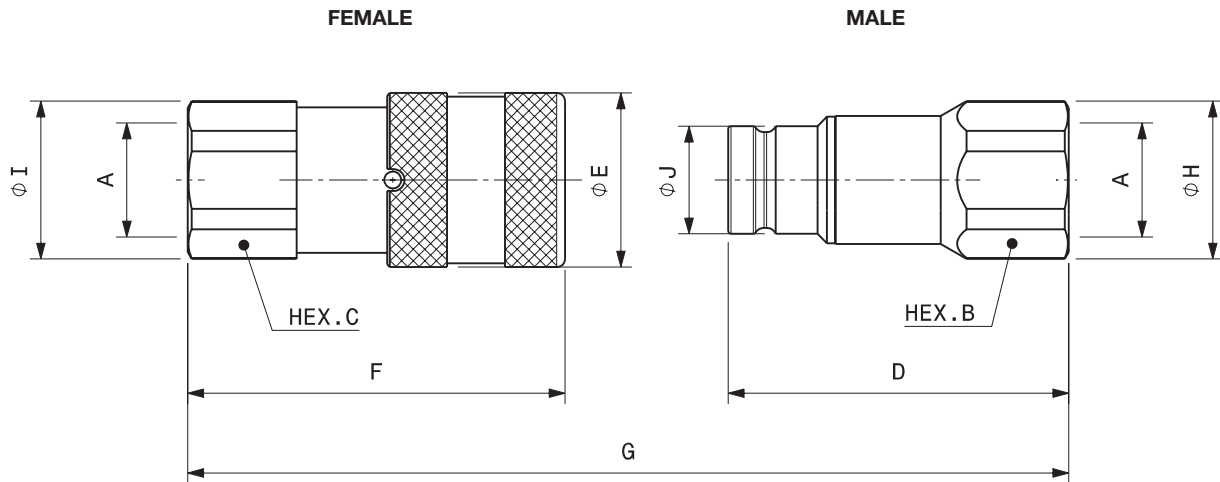
Tests:

The couplings have been tested at max. operating pressure for 100.000 impulses according to ISO norm.

! WARNING

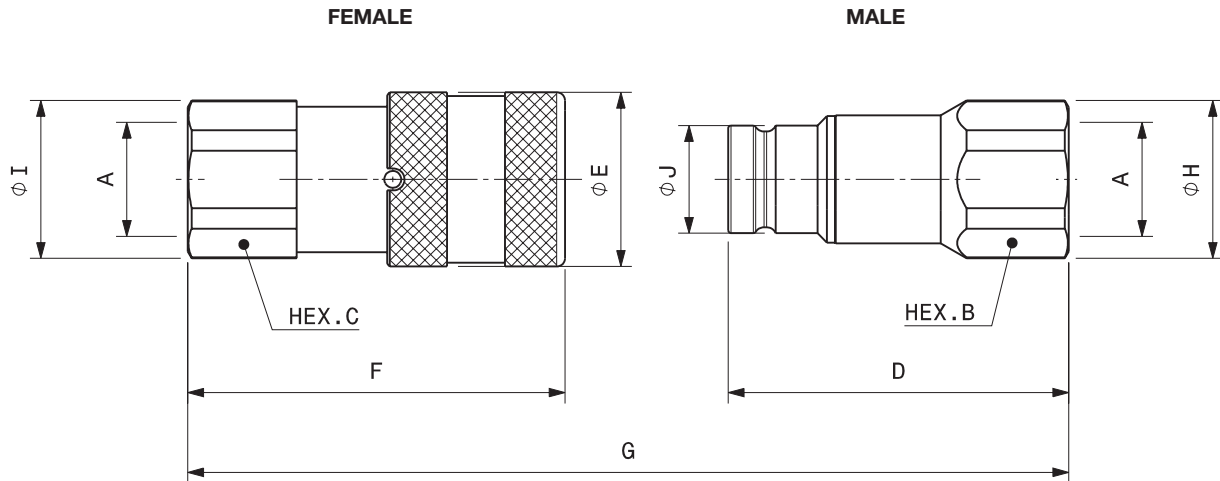
A defect, a wrong choice or an improper use of products, can cause injury to persons, animals and objects.
Never connect or disconnect with dynamic pressure (e.g. pump on).
Do not use the female coupling disconnected with high impulse pressure.
Do not couple-uncouple with flow and/or pressure in the circuit.
Do not couple-uncouple when the temperature inside of the circuit is higher than 80 °C (176 °F).
Check the maximum allowable working pressure of the port in use.
Make sure that the medium used is compatible with seal and material as indicated for each series.
In case of doubt please contact Stucchi Technical Support.
The interchangeability is mentioned under the assumption that the manufacturer of the considered products has not changed any dimension.
It is mandatory to carefully read and closely follow the instructions before selecting or using any Stucchi products.
Always refer to the version uploaded in the Instructions and warning section of stucchigroup.com website for the latest release.
For specific, product-related, instructions, please contact Stucchi technical service.

OVERALL DIMENSIONS



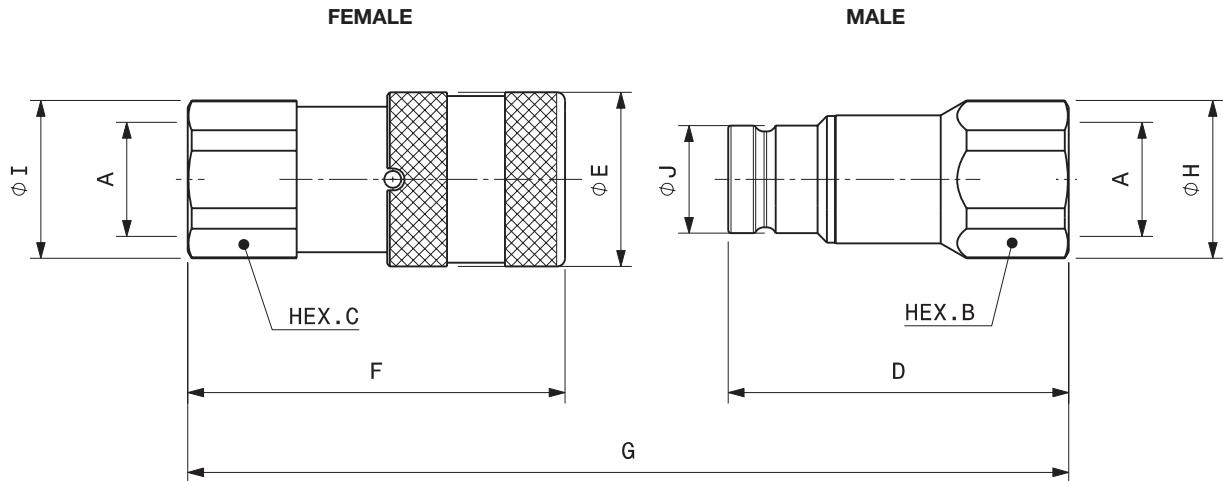
Port description: FEMALE THREAD BSPP (ISO1179-1)

| BODY SIZE | Descriptive Code | Item Code | ISO DN | PORT (A) | Overall Length | | Length | | Hex | | Diameter | | Diameter | | Weight | | | | | | |
|-----------|------------------|------------------|--------|----------|----------------|-------|--------|------|-------|------|----------|------|----------|------|--------|------|---|-------|------|------|-------|
| | | | | | mm | inch | mm | inch | mm | inch | mm | inch | mm | inch | Kg | Lbs | | | | | |
| 1/4" | F FIRG 14 BSP | Female 800800000 | 6,3 | 1/4" | G | 85,2 | 3,35 | F | 48,1 | 1,89 | C | 22,0 | 0,87 | I | 23,8 | 0,94 | E | 28,0 | 1,10 | 0,14 | 0,31 |
| | M FIRG 14 BSP | Male 800800001 | | | | | | D | 47,9 | 1,89 | B | 22,0 | 0,87 | H | 23,8 | 0,94 | J | 16,1 | 0,63 | 0,09 | 0,19 |
| 3/8" | F FIRG 38 BSP | Female 800800004 | 10 | 3/8" | G | 108,7 | 4,28 | F | 64,2 | 2,53 | C | 27,0 | 1,06 | I | 29,0 | 1,14 | E | 32,0 | 1,26 | 0,24 | 0,52 |
| | M FIRG 38 BSP | Male 800800005 | | | | | | D | 60,0 | 2,36 | B | 24,0 | 0,94 | H | 26,0 | 1,02 | J | 19,7 | 0,78 | 0,12 | 0,27 |
| 3/8" | F FIRG 12 BSP | Female 800800002 | 10 | 1/2" | G | 116,2 | 4,57 | F | 69,2 | 2,72 | C | 27,0 | 1,06 | I | 29,0 | 1,14 | E | 32,0 | 1,26 | 0,24 | 0,52 |
| | M FIRG 12 BSP | Male 800800003 | | | | | | D | 62,5 | 2,46 | B | 27,0 | 1,06 | H | 29,0 | 1,14 | J | 19,7 | 0,78 | 0,13 | 0,28 |
| 1/2" | F FIRG 12A BSP | Female 800800006 | 12,5 | 1/2" | G | 124,5 | 4,90 | F | 73,8 | 2,91 | C | 32,0 | 1,26 | I | 33,8 | 1,33 | E | 38,0 | 1,50 | 0,38 | 0,83 |
| | M FIRG 12A BSP | Male 800800007 | | | | | | D | 68,0 | 2,68 | B | 32,0 | 1,26 | H | 33,8 | 1,33 | J | 24,5 | 0,96 | 0,23 | 0,51 |
| 1/2" | F FIRG 34 BSP | Female 800800008 | 12,5 | 3/4" | G | 134,0 | 5,28 | F | 80,8 | 3,18 | C | 36,0 | 1,42 | I | 38,5 | 1,52 | E | 38,0 | 1,50 | 0,41 | 0,91 |
| | M FIRG 34 BSP | Male 800800009 | | | | | | D | 70,5 | 2,78 | B | 36,0 | 1,42 | H | 38,5 | 1,52 | J | 24,5 | 0,96 | 0,23 | 0,50 |
| 5/8" | F FIRG 34B BSP | Female 800800010 | 16 | 3/4" | G | 131,4 | 5,17 | F | 78,5 | 3,09 | C | 36,0 | 1,42 | I | 38,5 | 1,52 | E | 42,0 | 1,65 | 0,48 | 1,06 |
| | M FIRG 34B BSP | Male 800800011 | | | | | | D | 70,5 | 2,78 | B | 36,0 | 1,42 | H | 38,5 | 1,52 | J | 27,0 | 1,06 | 0,27 | 0,59 |
| 3/4" | F FIRG 34A BSP | Female 800800020 | 19 | 3/4" | G | 149,0 | 5,87 | F | 88,7 | 3,49 | C | 41,0 | 1,61 | I | 44,8 | 1,76 | E | 48,0 | 1,89 | 0,75 | 1,65 |
| | M FIRG 34A BSP | Male 800800021 | | | | | | D | 82,3 | 3,24 | B | 41,0 | 1,61 | H | 44,8 | 1,76 | J | 30,0 | 1,18 | 0,45 | 0,98 |
| 3/4" | F FIRG 100 BSP | Female 800800012 | 19 | 1" | G | 153,5 | 6,04 | F | 93,2 | 3,67 | C | 45,0 | 1,77 | I | 47,8 | 1,88 | E | 48,0 | 1,89 | 0,77 | 1,69 |
| | M FIRG 100 BSP | Male 800800013 | | | | | | D | 82,3 | 3,24 | B | 45,0 | 1,77 | H | 47,8 | 1,88 | J | 30,0 | 1,18 | 0,39 | 0,87 |
| 1" | F FIRG 114 BSP | Female 800800014 | 25 | 1-1/4" | G | 172,8 | 6,80 | F | 106,0 | 4,17 | C | 55,0 | 2,17 | I | 59,8 | 2,35 | E | 55,0 | 2,17 | 1,22 | 2,68 |
| | M FIRG 114 BSP | Male 800800015 | | | | | | D | 89,8 | 3,54 | B | 55,0 | 2,17 | H | 59,8 | 2,35 | J | 36,0 | 1,42 | 0,64 | 1,41 |
| 1-1/2" | F FIRG 112 BSP | Female 800800016 | - | 1-1/2" | G | 214,9 | 8,46 | F | 132,4 | 5,21 | C | 65,0 | 2,56 | I | 72,0 | 2,83 | E | 80,0 | 3,15 | 2,82 | 6,22 |
| | M FIRG 112 BSP | Male 800800017 | | | | | | D | 111,1 | 4,37 | B | 65,0 | 2,56 | H | 69,8 | 2,75 | J | 57,0 | 2,24 | 1,67 | 3,67 |
| 2" | F FIRG 200 BSP | Female 800800018 | - | 2" | G | 241,5 | 9,51 | F | 156,6 | 6,17 | C | 80,0 | 3,15 | I | 88,5 | 3,48 | E | 100,0 | 3,94 | 5,10 | 11,24 |
| | M FIRG 200 BSP | Male 800800019 | | | | | | D | 123,8 | 4,87 | B | 75,0 | 2,95 | H | 83,5 | 3,29 | J | 73,0 | 2,87 | 2,26 | 4,98 |



Port description: FEMALE THREAD NPT (ANSI B.1.20.1)

| BODY SIZE | Descriptive Code | Item Code | ISO DN | PORT (A) | Overall Length | Length | | Hex | | Diameter | | Diameter | | Weight | | | | | | | |
|-----------|------------------|------------------|--------|----------|----------------|--------|------|-----|-------|----------|------|----------|------|--------|------|------|---|-------|------|------|-------|
| | | | | | | mm | inch | mm | inch | mm | inch | mm | inch | Kg | Lbs | | | | | | |
| 1/4" | F FIRG 14 NPT | Female 800801000 | 6,3 | 1/4" | G | 85,2 | 3,35 | F | 48,1 | 1,89 | C | 22,0 | 0,87 | I | 23,8 | 0,94 | E | 28,0 | 1,10 | 0,14 | 0,31 |
| | M FIRG 14 NPT | Male 800801001 | | | | | | D | 47,9 | 1,89 | B | 22,0 | 0,87 | H | 23,8 | 0,94 | J | 16,1 | 0,63 | 0,09 | 0,19 |
| 3/8" | F FIRG 38 NPT | Female 800801004 | 10 | 3/8" | G | 108,7 | 4,28 | F | 64,2 | 2,53 | C | 27,0 | 1,06 | I | 29,0 | 1,14 | E | 32,0 | 1,26 | 0,24 | 0,52 |
| | M FIRG 38 NPT | Male 800801005 | | | | | | D | 60,0 | 2,36 | B | 24,0 | 0,94 | H | 26,0 | 1,02 | J | 19,7 | 0,78 | 0,12 | 0,27 |
| 3/8" | F FIRG 12 NPT | Female 800801002 | 10 | 1/2" | G | 116,2 | 4,57 | F | 69,2 | 2,72 | C | 27,0 | 1,06 | I | 29,0 | 1,14 | E | 32,0 | 1,26 | 0,24 | 0,53 |
| | M FIRG 12 NPT | Male 800801003 | | | | | | D | 62,5 | 2,46 | B | 27,0 | 1,06 | H | 29,0 | 1,14 | J | 19,7 | 0,78 | 0,13 | 0,29 |
| 1/2" | F FIRG 12A NPT | Female 800801006 | 12,5 | 1/2" | G | 124,5 | 4,90 | F | 73,8 | 2,91 | C | 32,0 | 1,26 | I | 33,8 | 1,33 | E | 38,0 | 1,50 | 0,38 | 0,83 |
| | M FIRG 12A NPT | Male 800801007 | | | | | | D | 68,0 | 2,68 | B | 32,0 | 1,26 | H | 33,8 | 1,33 | J | 24,5 | 0,96 | 0,24 | 0,52 |
| 1/2" | F FIRG 34 NPT | Female 800801008 | 12,5 | 3/4" | G | 134,0 | 5,28 | F | 80,8 | 3,18 | C | 36,0 | 1,42 | I | 38,5 | 1,52 | E | 38,0 | 1,50 | 0,42 | 0,93 |
| | M FIRG 34 NPT | Male 800801009 | | | | | | D | 70,5 | 2,78 | B | 36,0 | 1,42 | H | 38,5 | 1,52 | J | 24,5 | 0,96 | 0,23 | 0,52 |
| 5/8" | F FIRG 34B NPT | Female 800801010 | 16 | 3/4" | G | 131,4 | 5,17 | F | 78,5 | 3,09 | C | 36,0 | 1,42 | I | 38,5 | 1,52 | E | 42,0 | 1,65 | 0,49 | 1,08 |
| | M FIRG 34B NPT | Male 800801011 | | | | | | D | 70,5 | 2,78 | B | 36,0 | 1,42 | H | 38,5 | 1,52 | J | 27,0 | 1,06 | 0,27 | 0,60 |
| 3/4" | F FIRG 34A NPT | Female 800801020 | 19 | 3/4" | G | 149,0 | 5,87 | F | 88,7 | 3,49 | C | 41,0 | 1,61 | I | 44,8 | 1,76 | E | 48,0 | 1,89 | 0,76 | 1,66 |
| | M FIRG 34A NPT | Male 800801021 | | | | | | D | 82,3 | 3,24 | B | 41,0 | 1,61 | H | 44,8 | 1,76 | J | 30,0 | 1,18 | 0,45 | 0,99 |
| 3/4" | F FIRG 100 NPT | Female 800801012 | 19 | 1" | G | 153,5 | 6,04 | F | 93,2 | 3,67 | C | 45,0 | 1,77 | I | 47,8 | 1,88 | E | 48,0 | 1,89 | 0,78 | 1,72 |
| | M FIRG 100 NPT | Male 800801013 | | | | | | D | 82,3 | 3,24 | B | 45,0 | 1,77 | H | 47,8 | 1,88 | J | 30,0 | 1,18 | 0,41 | 0,89 |
| 1" | F FIRG 114 NPT | Female 800801014 | 25 | 1 1/4" | G | 172,8 | 6,80 | F | 106,0 | 4,17 | C | 55,0 | 2,17 | I | 59,8 | 2,35 | E | 55,0 | 2,17 | 1,22 | 2,68 |
| | M FIRG 114 NPT | Male 800801015 | | | | | | D | 89,8 | 3,54 | B | 55,0 | 2,17 | H | 59,8 | 2,35 | J | 36,0 | 1,42 | 0,66 | 1,46 |
| 1-1/2" | F FIRG 112 NPT | Female 800801016 | - | 1 1/2" | G | 214,9 | 8,46 | F | 132,4 | 5,21 | C | 65,0 | 2,56 | I | 72,0 | 2,83 | E | 80,0 | 3,15 | 2,85 | 6,28 |
| | M FIRG 112 NPT | Male 800801017 | | | | | | D | 111,1 | 4,37 | B | 65,0 | 2,56 | H | 69,8 | 2,75 | J | 57,0 | 2,24 | 1,67 | 3,68 |
| 2" | F FIRG 200 NPT | Female 800801018 | - | 2" | G | 241,5 | 9,51 | F | 156,6 | 6,17 | C | 80,0 | 3,15 | I | 88,5 | 3,48 | E | 100,0 | 3,94 | 5,10 | 11,24 |
| | M FIRG 200 NPT | Male 800801019 | | | | | | D | 123,8 | 4,87 | B | 75,0 | 2,95 | H | 83,5 | 3,29 | J | 73,0 | 2,87 | 2,26 | 4,98 |

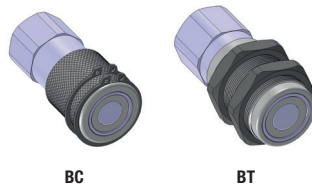

Port description: FEMALE THREAD SAE (ISO 11926-1 & SAE J1926-1)

| BODY SIZE | Descriptive Code | Item Code | ISO DN | PORT (A) | Overall Length | Length | | Hex | | Diameter | | Diameter | | Weight | | | | | | | |
|-----------|--------------------|------------------|--------|-------------|----------------|--------|------|-----|-------|----------|------|----------|------|--------|------|------|---|-------|------|------|-------|
| | | | | | | mm | inch | mm | inch | mm | inch | mm | inch | Kg | Lbs | | | | | | |
| 1/4" | F FIRG 14 3/8 SAE | Female 800804000 | 6,3 | 9/16-18UNF | G | 93,2 | 3,67 | F | 53,1 | 2,09 | C | 22,0 | 0,87 | I | 23,8 | 0,94 | E | 28,0 | 1,10 | 0,15 | 0,33 |
| | M FIRG 14 3/8 SAE | Male 800804001 | | | | | | D | 50,9 | 2,00 | B | 22,0 | 0,87 | H | 23,8 | 0,94 | J | 16,1 | 0,63 | 0,09 | 0,20 |
| 3/8" | F FIRG 38 1/2 SAE | Female 800804002 | 10 | 3/4-16UNF | G | 116,2 | 4,57 | F | 69,2 | 2,72 | C | 27,0 | 1,06 | I | 29,0 | 1,14 | E | 32,0 | 1,26 | 0,24 | 0,54 |
| | M FIRG 38 1/2 SAE | Male 800804003 | | | | | | D | 62,5 | 2,46 | B | 27,0 | 1,06 | H | 29,0 | 1,14 | J | 19,7 | 0,78 | 0,14 | 0,31 |
| 3/8" | F FIRG 12 5/8 SAE | Female 800804004 | 10 | 7/8-14UNF | G | 119,7 | 4,71 | F | 71,2 | 2,80 | C | 30,0 | 1,18 | I | 32,0 | 1,26 | E | 32,0 | 1,26 | 0,26 | 0,57 |
| | M FIRG 12 5/8 SAE | Male 800804005 | | | | | | D | 64,0 | 2,52 | B | 30,0 | 1,18 | H | 32,0 | 1,26 | J | 19,7 | 0,78 | 0,15 | 0,32 |
| 1/2" | F FIRG 12A 5/8 SAE | Female 800804006 | 12,5 | 7/8-14UNF | G | 129,0 | 5,08 | F | 76,3 | 3,00 | C | 32,0 | 1,26 | I | 33,8 | 1,33 | E | 38,0 | 1,50 | 0,38 | 0,83 |
| | M FIRG 12A 5/8 SAE | Male 800804007 | | | | | | D | 70,0 | 2,76 | B | 32,0 | 1,26 | H | 33,8 | 1,33 | J | 24,5 | 0,96 | 0,23 | 0,51 |
| 1/2" | F FIRG 34 SAE | Female 800804008 | 12,5 | 1-1/16-12UN | G | 138,0 | 5,43 | F | 83,3 | 3,28 | C | 36,0 | 1,42 | I | 38,5 | 1,52 | E | 38,0 | 1,50 | 0,42 | 0,93 |
| | M FIRG 34 SAE | Male 800804009 | | | | | | D | 72,0 | 2,83 | B | 36,0 | 1,42 | H | 38,5 | 1,52 | J | 24,5 | 0,96 | 0,23 | 0,51 |
| 5/8" | F FIRG 34B SAE | Female 800804010 | 16 | 1-1/16-12UN | G | 137,9 | 5,43 | F | 83,5 | 3,29 | C | 36,0 | 1,42 | I | 38,5 | 1,52 | E | 42,0 | 1,65 | 0,50 | 1,10 |
| | M FIRG 34B SAE | Male 800804011 | | | | | | D | 72,0 | 2,83 | B | 36,0 | 1,42 | H | 38,5 | 1,52 | J | 27,0 | 1,06 | 0,27 | 0,59 |
| 3/4" | F FIRG 34A SAE | Female 800804020 | 19 | 1-1/16-12UN | G | 149,0 | 5,87 | F | 88,7 | 3,49 | C | 41,0 | 1,61 | I | 44,8 | 1,76 | E | 48,0 | 1,89 | 0,75 | 1,64 |
| | M FIRG 34A SAE | Male 800804021 | | | | | | D | 82,3 | 3,24 | B | 41,0 | 1,61 | H | 44,8 | 1,76 | J | 30,0 | 1,18 | 0,44 | 0,97 |
| 3/4" | F FIRG 100 SAE | Female 800804012 | 19 | 1-5/16-12UN | G | 153,5 | 6,04 | F | 93,2 | 3,67 | C | 45,0 | 1,77 | I | 47,8 | 1,88 | E | 48,0 | 1,89 | 0,77 | 1,69 |
| | M FIRG 100 SAE | Male 800804013 | | | | | | D | 82,3 | 3,24 | B | 45,0 | 1,77 | H | 47,8 | 1,88 | J | 30,0 | 1,18 | 0,39 | 0,87 |
| 1" | F FIRG 114 SAE | Female 800804014 | 25 | 1-5/8-12UN | G | 172,8 | 6,80 | F | 106,0 | 4,17 | C | 55,0 | 2,17 | I | 59,8 | 2,35 | E | 55,0 | 2,17 | 1,22 | 2,68 |
| | M FIRG 114 SAE | Male 800804015 | | | | | | D | 89,8 | 3,54 | B | 55,0 | 2,17 | H | 59,8 | 2,35 | J | 36,0 | 1,42 | 0,64 | 1,41 |
| 1-1/2" | F FIRG 112 SAE | Female 800804016 | - | 1-7/8-12UN | G | 214,9 | 8,46 | F | 132,4 | 5,21 | C | 65,0 | 2,56 | I | 72,0 | 2,83 | E | 80,0 | 3,15 | 2,82 | 6,22 |
| | M FIRG 112 SAE | Male 800804017 | | | | | | D | 111,1 | 4,37 | B | 65,0 | 2,56 | H | 69,8 | 2,75 | J | 57,0 | 2,24 | 1,66 | 3,65 |
| 2" | F FIRG 200 SAE | Female 800804018 | - | 2-1/2-12UN | G | 241,5 | 9,51 | F | 156,6 | 6,17 | C | 80,0 | 3,15 | I | 88,5 | 3,48 | E | 100,0 | 3,94 | 5,10 | 11,24 |
| | M FIRG 200 SAE | Male 800804019 | | | | | | D | 123,8 | 4,87 | B | 75,0 | 2,95 | H | 83,5 | 3,29 | J | 73,0 | 2,87 | 2,26 | 4,98 |

Panel mounting

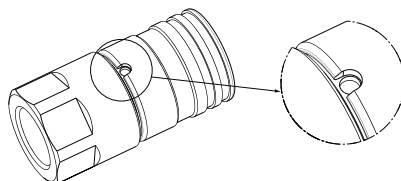
FIRG Series is available upon request also as panel mounting version:

 BC: Snap Ring Solution
 Grooves on the male body and on the female sleeve.

 BT: Lock Ring Solution
 Thread on the male body and female body.

SS version

For specific cases, FIRG Series is available upon request without the safety lock ball.

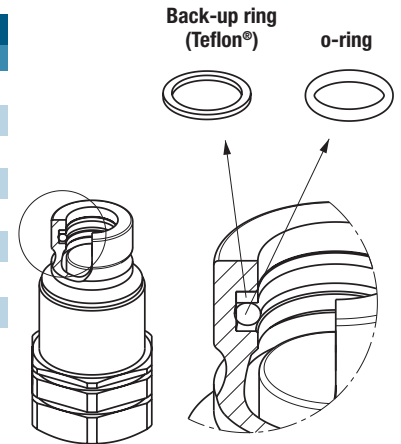
For additional information, please contact Stucchi Technical Support.





SPARE KIT SEAL FOR MALE

| Repair kit / OR+BK | | |
|--------------------|---------------|-------------|
| Body Size | Description | Part Number |
| 1/4" | M FIRG14 | 815700519 |
| 3/8" | M FIRG38-12 | 815700337 |
| 1/2" | M FIRG12A-34 | 815700339 |
| 5/8" | M FIRG34B | 815700341 |
| 3/4" | M FIRG100-34A | 815700343 |
| 1" | M FIRG114 | 815700345 |
| 1-1/2" | M FIRG112 | 815700521 |
| 2" | M FIRG200 | 815700796 |



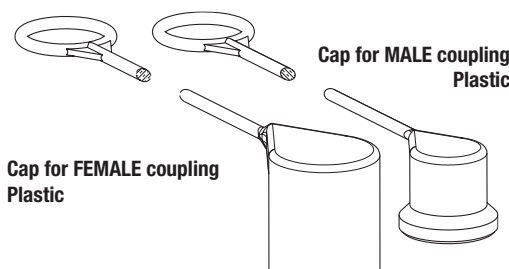
O-Ring in Nitrile
BackUp in Teflon®

PROTECTIVE CAPS FOR FIRG SERIES

Protective caps are always recommended to protect the couplings from damage, dirt inclusion, and will increase the product life. This is particularly important in mobile applications where exposure to weather and aggregate materials are common.

For the FIRG series are available three kind of materials:

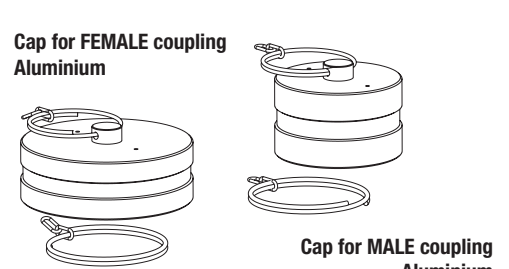
- plastic caps with lanyard (standard color: red, other colors available upon request)
- aluminum caps with lanyard (standard colors: natural aluminum, other colors available upon request)
- plastic caps, clip system (standard color: red, other colors available upon request)



Cap for FEMALE coupling Plastic

Cap for MALE coupling Plastic

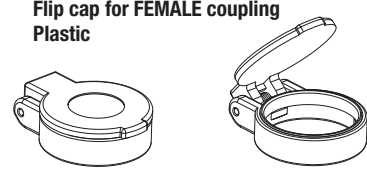
| Body Size/Description | Protective Cap | | Material/Color |
|-----------------------|----------------|---------------|----------------|
| | Part Number | Part Number | |
| | Cap for Female | Cap for Male | |
| 1/4" FIRG14 | 815100000 | 815100023 | Plastic/Red |
| 3/8" FIRG38-12 | 815100002 | 815100025/027 | Plastic/Red |
| 1/2" FIRG12A-34 | 815100004/006 | 815100029/031 | Plastic/Red |
| 5/8" FIRG34B | 815100008 | 815100011 | Plastic/Red |
| 3/4" FIRG100-34A | 815100010 | 815100013 | Plastic/Red |
| 1" FIRG114 | 815100012 | 815100015 | Plastic/Red |



Cap for FEMALE coupling Aluminium

Cap for MALE coupling Aluminium

| Body Size/Description | Protective Cap | | Material/Color |
|-----------------------|----------------|--------------|------------------|
| | Part Number | Part Number | |
| | Cap for Female | Cap for Male | |
| 1/4" FIRG14 | 816005002 | 816005003 | Aluminum/Natural |
| 3/8" FIRG38-12 | 816005004 | 816005005 | Aluminum/Natural |
| 1/2" FIRG12A-34 | 816005006 | 816005007 | Aluminum/Natural |
| 3/4" FIRG100-34A | 816005010 | 816005011 | Aluminum/Natural |
| 1" FIRG114 | 816005012 | 816005013 | Aluminum/Natural |
| 1-1/2" FIRG112 | 815105014 | 815105017 | Aluminum/Natural |
| 2" FIRG200 | 815105016 | 815105019 | Aluminum/Natural |



Flip cap for FEMALE coupling Plastic

Close **Open**

| Body Size/Description | Protective Cap | | Material/Color |
|-----------------------|----------------|-------------|----------------|
| | Part Number | Part Number | |
| | Cap for Female | | |
| 3/8" FIRG38-12 | 815200002 | | Plastic/Red |
| 1/2" FIRG12A-34 | 815200004 | | Plastic/Red |
| 5/8" FIRG34B | 815200006 | | Plastic/Red |
| 3/4" FIRG100-34A | 815200008 | | Plastic/Red |